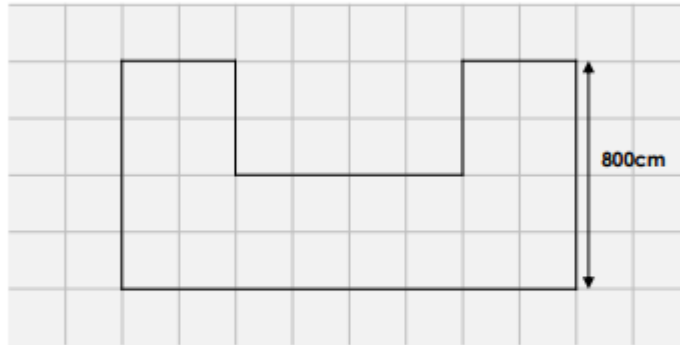


Calculate the missing lengths and angles – use your knowledge and understanding of shapes to solve this. Rulers and protractors are NOT needed for this

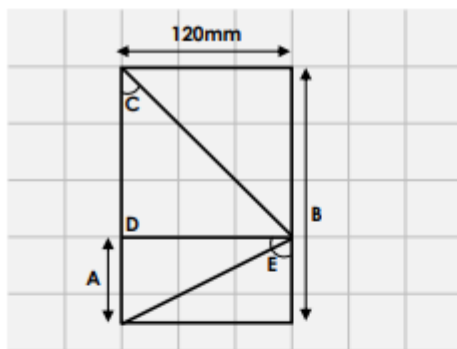
### Lengths and Angles in Shapes

7. Calculate the perimeter of the shape.



VF  
HW/Ext

8. Calculate the length of the sides A and B in centimetres and the angles C, D and E in the shape below.



Side

A = \_\_\_\_\_

B = \_\_\_\_\_

Angle

C = \_\_\_\_\_

D = \_\_\_\_\_

E = \_\_\_\_\_

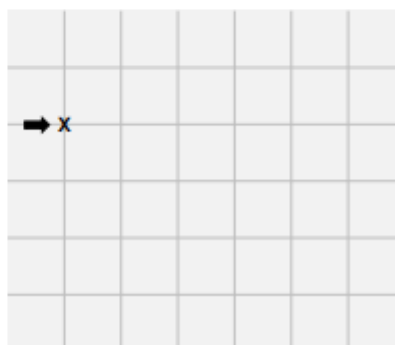


VF  
HW/Ext

9. Starting on X, follow Ciara's instructions and draw her walking route around the park.



Move forward two squares.  
Turn 45° clockwise.  
Move diagonally through three squares.  
Turn 135° clockwise.  
Move forward through five squares.  
Turn 90° clockwise.  
Move forward three squares.



Name the shape you have drawn.

Answers

7. **56m or 5,600cm.**

**8. A = 6cm; B = 18cm. C is 45°; D is 90°; E is 90°.**

**9. The shape drawn is a trapezium.**